

Damperzen

DJI M600 upgrade kit

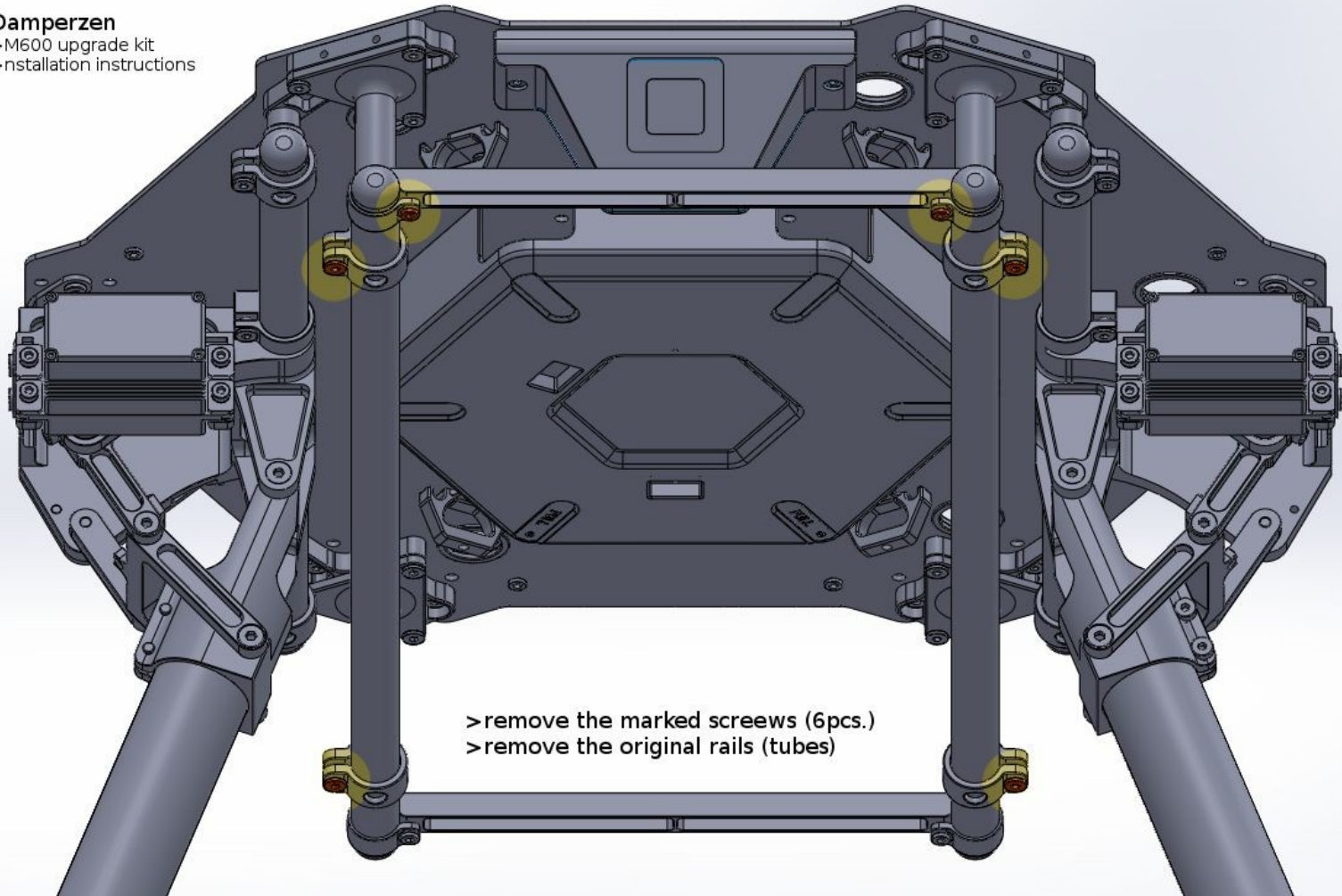
Installation instructions v1.1

2017.



Damperen

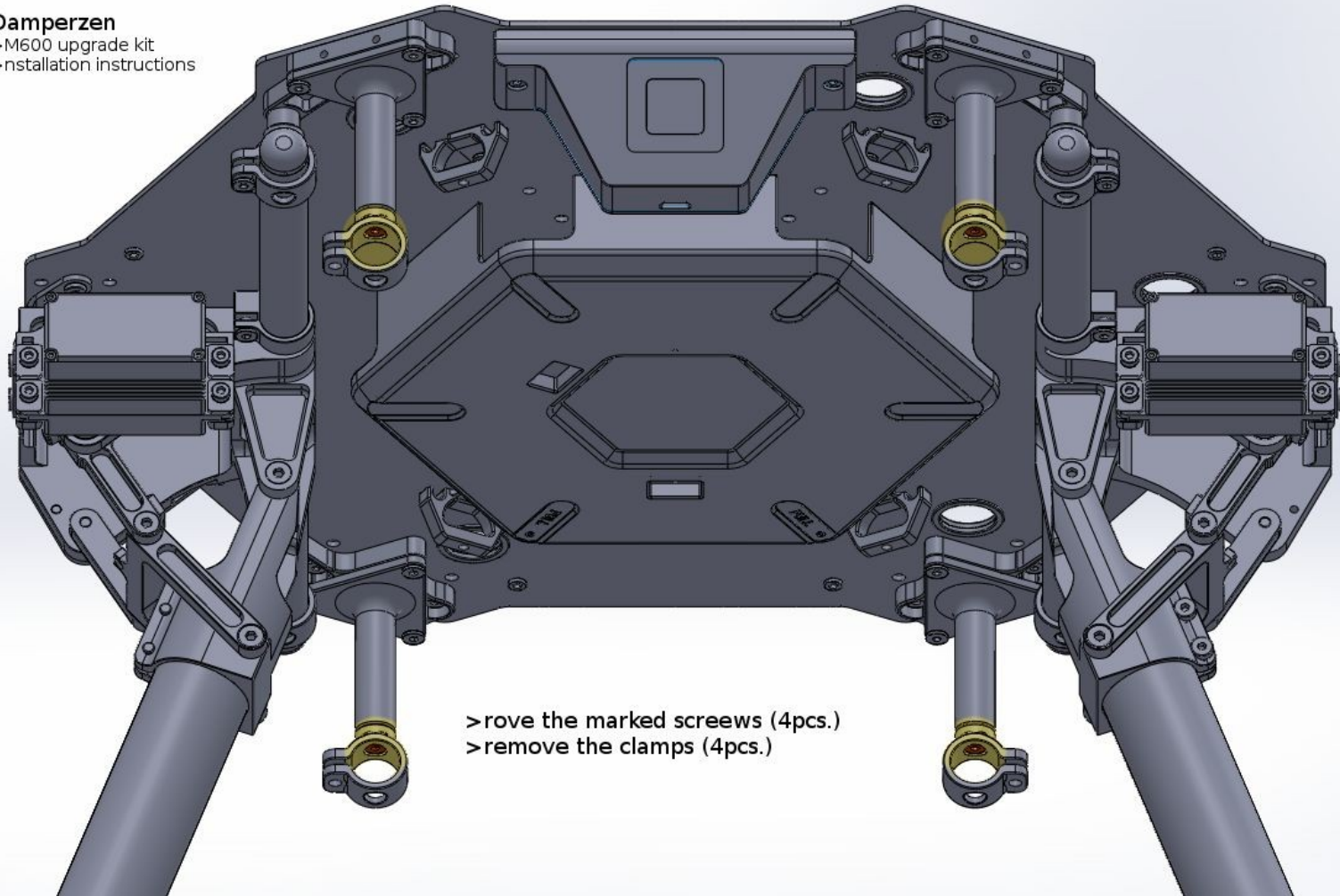
- >M600 upgrade kit
- >nstallation instructions



- >remove the marked screws (6pcs.)
- >remove the original rails (tubes)

Damperzen

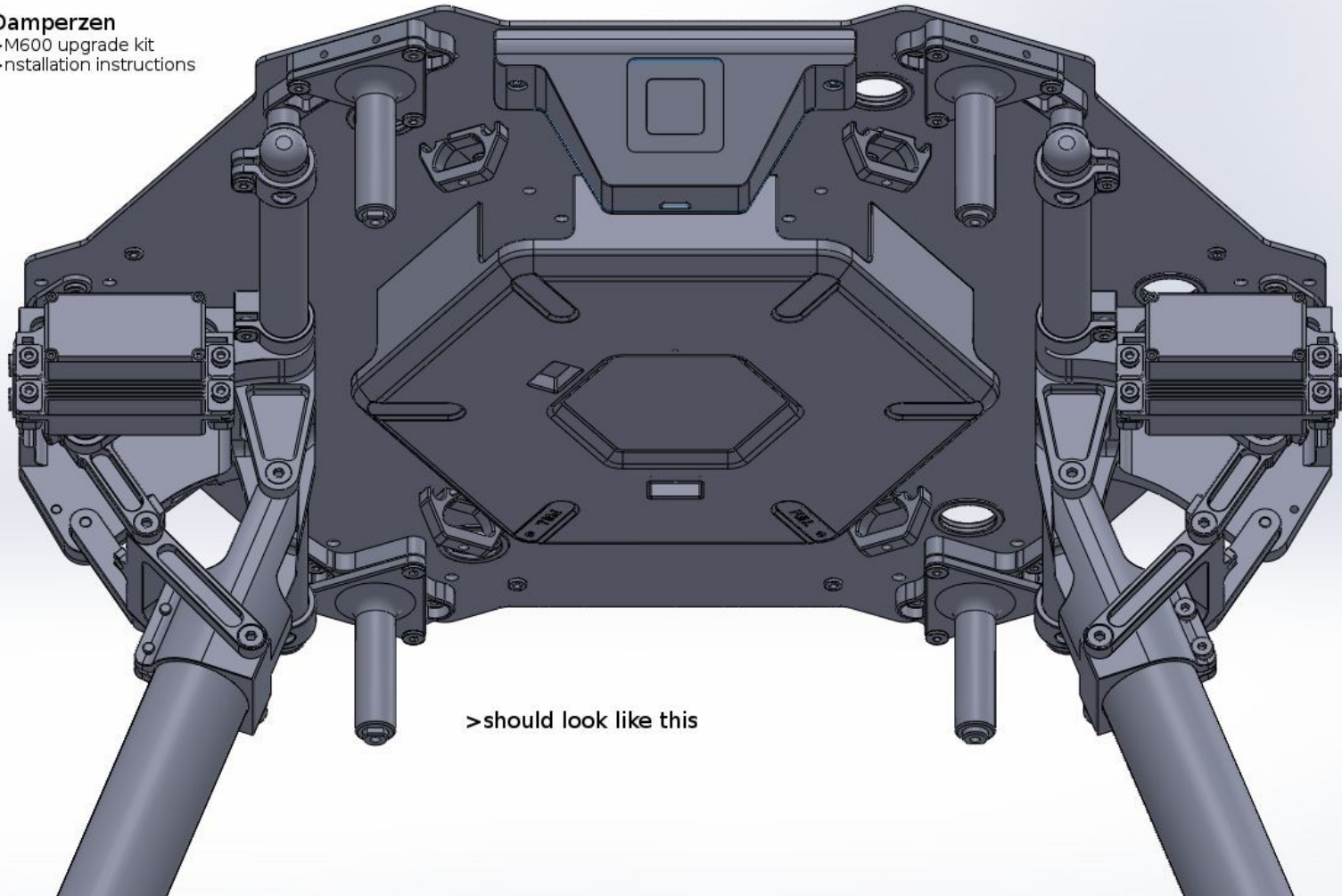
- >M600 upgrade kit
- >nstallation instructions



- >rove the marked screws (4pcs.)
- >remove the clamps (4pcs.)

Damperzen

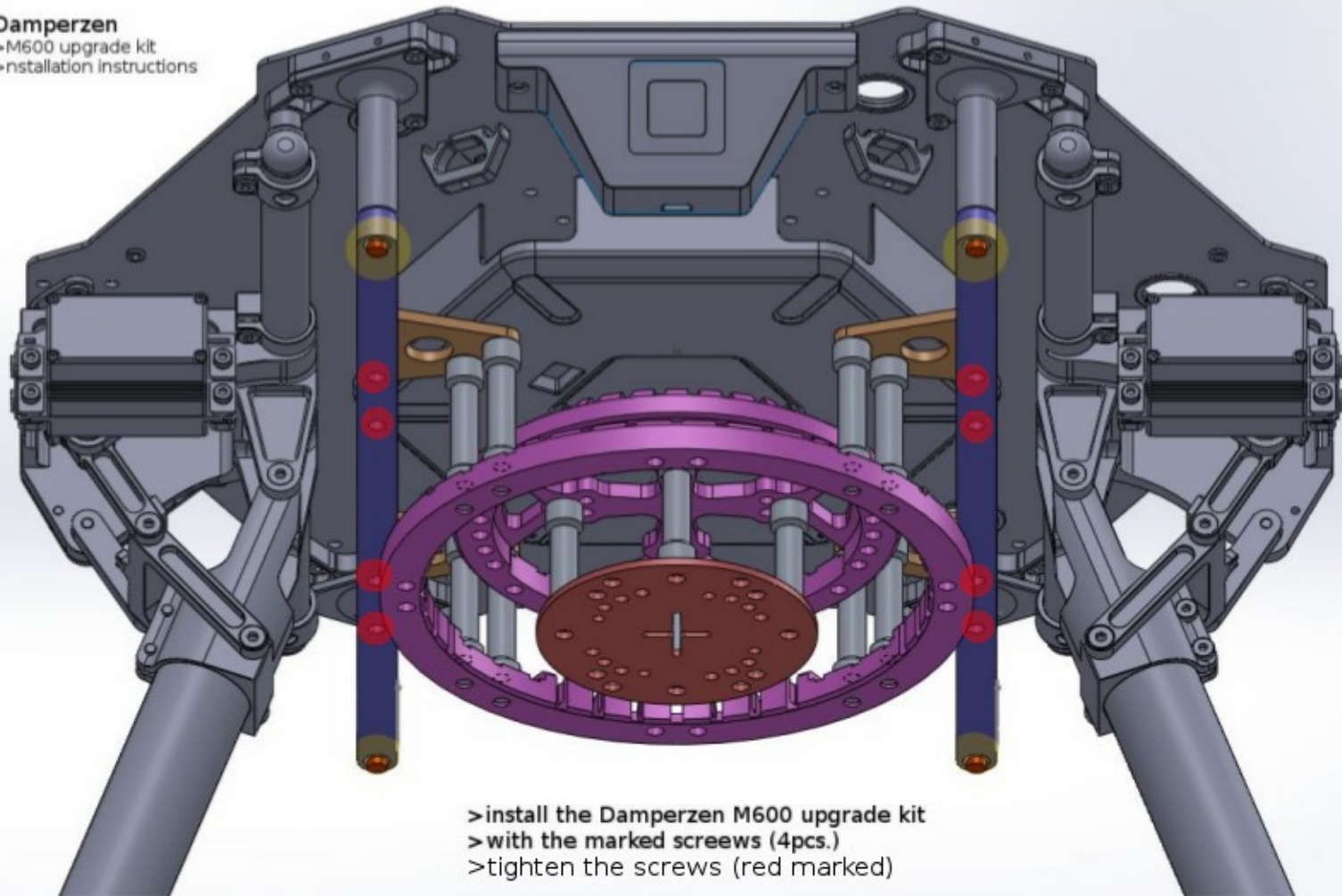
- >M600 upgrade kit
- >nstallation instructions



>should look like this

Damperzen

>M600 upgrade kit
>nstallation instructions



Thank You!

:-)